



The only sea-water resistant press fastener you can truly rely on



made to last

WWW.CAF-316.COM

FINALLY: a press fastener you can truly rely on

Hardly anybody realizes that press fasteners used in the tough conditions like marine applications are not even resistant to sea water - until now! Probably the smallest item on deck is now available in real 316 stainless steel: CAF-316®. To achieve true durability, even the internal spring is made of top quality duplex stainless steel, insuring years of dependable performance regardless of the conditions.

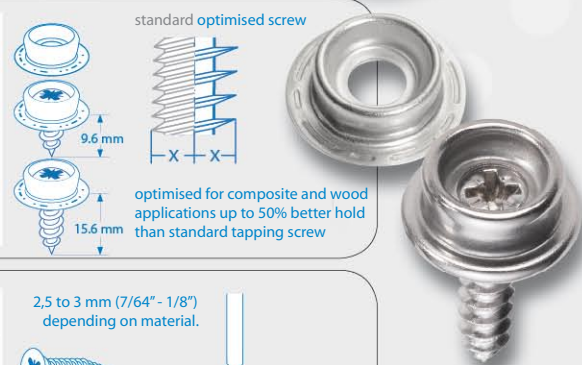
CAF-316 Cap (A)	product	code	package
normal shaft ø 15mm	polished SS 316	210000-100 210000-1000	100 x caps 1000 x caps
	normal shaft colour ø 15mm	SS 316 BLACK SS 316 BLACK MATT SS 316 PEARL WHITE SS 316 GREY SS 316 KHAKI SS 316 NAVY BLUE SS 316 BORDEAUX RED	210001-100 210002-100 210003-100 210004-100 210005-100 210006-100 210007-100
long shaft ø 15mm	polished SS 316	210100-100 210100-1000	100 x caps 1000 x caps



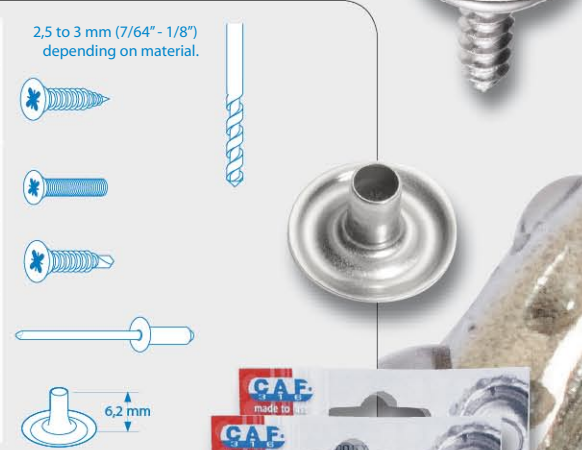
CAF-316 Socket (B)	product	code	package
socket	SS 316 with special CAF-spring	220000-100 220000-1000	100 x socket 1000 x socket



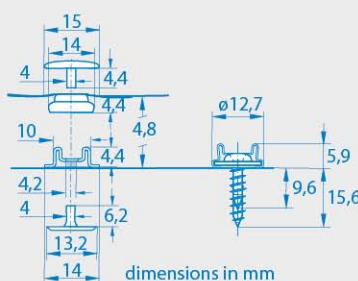
CAF-316 Stud (C)	product	code	package
stud	mid-base in SS 316	230000-100 230000-1000	100 x stud 1000 x stud
		screw-stud 10 mm (3/8") with optimised screw thread in SS 316	230110-100 230110-1000
screw-stud 16 mm (5/8") with optimised screw thread in SS 316		230116-100 230116-1000	100 x screw-stud 1000 x screw-stud



CAF-316 Fixing	product	code	package
tapping screw	4,2 x 16 C-Z A4	140100-100 140100-1000	100 x screw 1000 x screw
M4 bolt	M4 x 16 DIN965-Z A4	140200-100 140200-1000	100 x M4 1000 x M4
self-drilling screw	3,9 x 16 DIN75040-Z A2	141400-100 141400-1000	100 x sd-screw 1000 x sd-screw
blind rivet	4,0 x 10 DIN 7337B A2	141300-100 141300-1000	100 x blind rivet 1000 x blind rivet
eyelet (D)	SS 316	140500-100 140500-1000	100 x post 1000 x post



CAF-316® is delivered in smart, stackable packages even for do-it-yourself customers.



DO IT YOURSELF KIT

Code: 250001-10
Package: 10 sets incl. tools
cap + socket + screw-stud



for solid surface

DO IT YOURSELF KIT

Code: 250002-10
Package: 10 sets incl. tools
cap + socket + stud + eyelet



for fabric to fabric



sea water **RESISTANT**

CAF-316 is a press fastener, made of the high quality material 316 Stainless Steel

RELIABLE performance

Even the spring inside the socket is made of high quality duplex stainless steel, making sure the fasteners performance is stable over time and use, without deformation. No matter the conditions

easy to **INSTALL**

Installation is like a normal press fastener (self piercing shaft) using the same application tools, from hand punch to full automatic machines

variety of **COLOURS**

With caps being enamelled 316 stainless steel for a perfect match with your canvas

It is often said by experienced cover makers and fabricators: the weakest link of a cover, tent or any other textile product are the fasteners. More than the textile and the craftsmanship itself, the quality and lifetime of their products depend on the thread, zippers and fasteners.

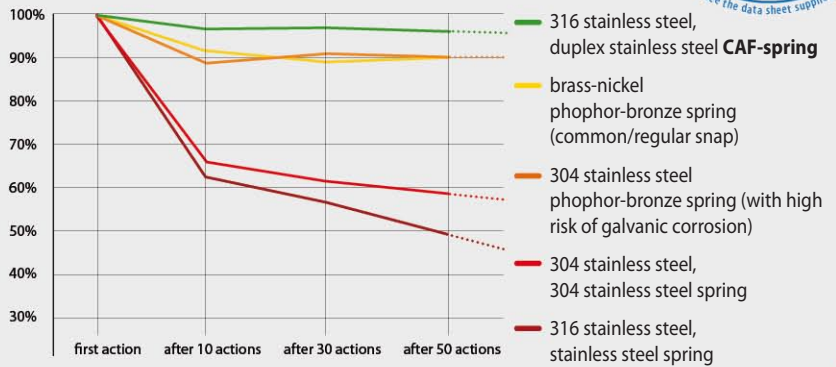
Especially in applications that don't allow compromise, like marine, industrial and outdoor, it is the end-user of these products that suffer from insufficiencies. As true reliability drills down to every detail, CAF-316 uses spring technology that avoids galvanic corrosion or electrolysis, is full sea water resistant, while ensures a similar and stable spring performance as one is used to and should expect. Accept no compromise.

At last SUREFAS brings modern technology to bear on a long-standing problem: making press fasteners truly corrosion free. From now on you can place your trust in the real durability of CAF-316, made to last.



Holding force performance

comparing different press fastener material configurations



Tools

To apply stainless steel CAF-316 items in fabric.

product	code	package
Pres'nSnap pliers incl. 4 dies	190500-1	1 x comp. set
Pres'nSnap pliers excl. dies	190501-1	1 plier
4 dies (A & B, C & D)	190502-1	4 dies
2 dies (A & B)	190503-1	2 dies
2 dies (C & D)	190504-1	2 dies
hand punch-set (A & B, C & D)	190600-1	1 set
hand punch-set (A & B)	190601-1	1 set



made to last

by SUREFAS